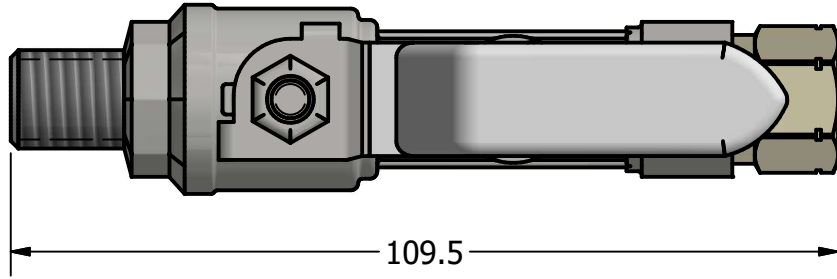


2

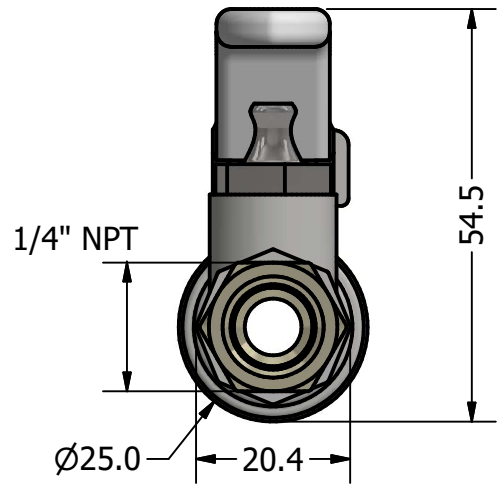
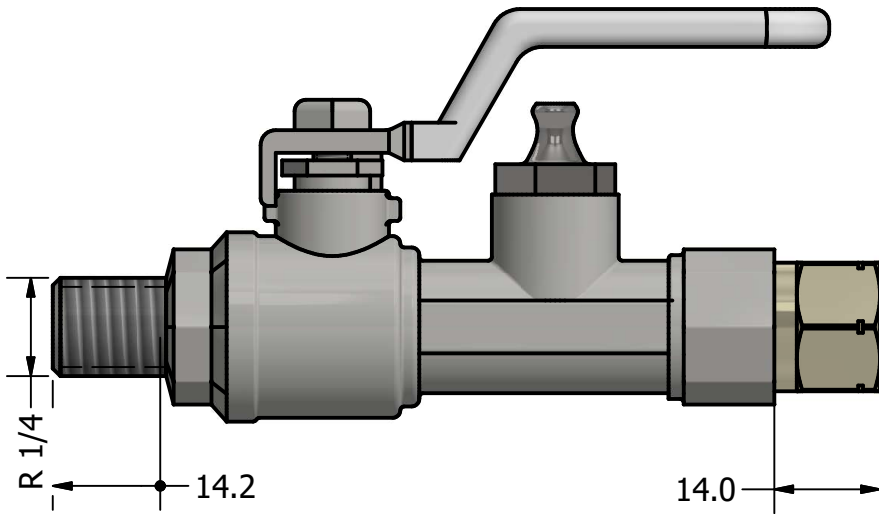


1



B

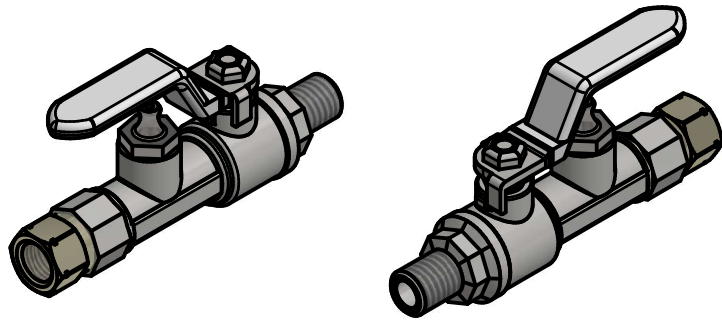
B



A


NOTES:

- Free of burrs and swarfs
- No particles (greater than 0.2mm)
- No Sharp Edges



A

A

PART NUMBER				DIMENSIONING AND TOLERANCING PER ASME Y14.5M-1994		ALL DIMENSIONS [mm.]		SCALE: 1 : 1		MAT: Brass / Nickel-Plated	
113982											
				DEPT	DATE	NAME		 H.T.L perma USA, L.P. 2129 Center Park Road Charlotte, NC 28217 (704) 377-3100			
				A.E.	6.7.2019	K. Brooks					
				PROJECT				DESCRIPTION:		<div style="border: 1px solid black; padding: 5px; text-align: center;"> 1 A </div>	
				Accessories				Purge connection w/manual valve R1/4 m x 1/4" NPT f			
STATUS	REVISION	DATE	NAME	PREV DWG NUM: AX_PUR_083-New				DWG NUM: AX_PUR_113982			

2



1