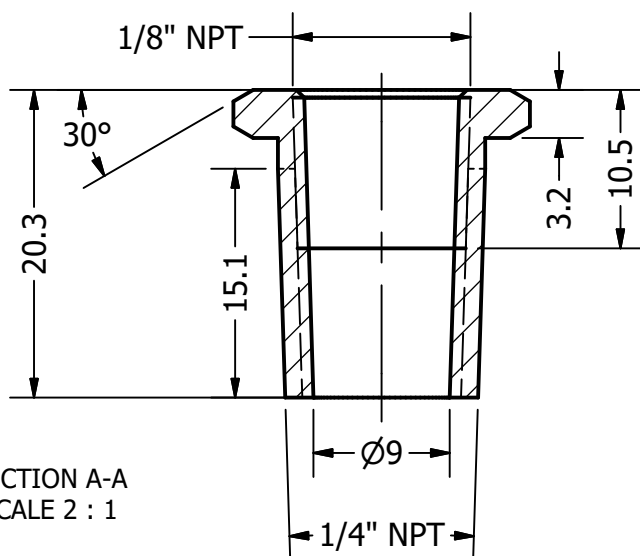
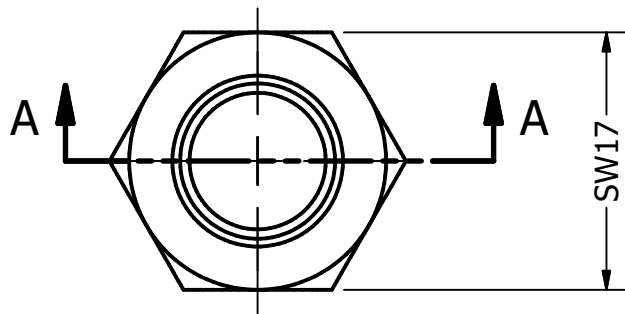
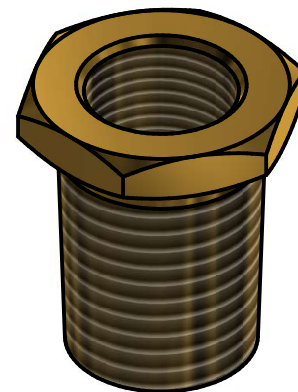


2

1




SECTION A-A
SCALE 2 : 1



NOTES:

- Free of burrs and swarfs
- No particles (greater than 0.2mm)
- No Sharp Edges

PART NUMBER				DIMENSIONING AND TOLERANCING PER ASME Y14.5M-1994		ALL DIMENSIONS [mm.]		SCALE: 2 : 1 MAT:Brass	
901011									
				DEPT	DATE	NAME		 H.T.L perma USA, L.P. 2129 Center Park Road Charlotte, NC 28217 (704) 377-3100	
				A.E.	6.26.2018	K. Brooks			
				PROJECT				DESCRIPTION:	
				Accessories				Bushing 1/4" NPT male x 1/8" NPT female	
								<div style="font-size: 2em; font-weight: bold;">1</div> <div style="font-size: 2em; font-weight: bold;">A</div>	
STATUS	REVISION	DATE	NAME	PREV DWG NUM: AX_RED_011_A				DWG NUM: AX_RED_011_B	

2

1