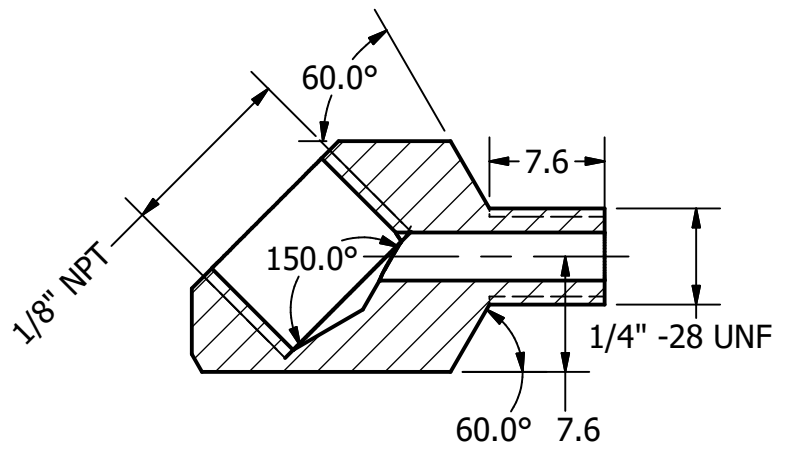
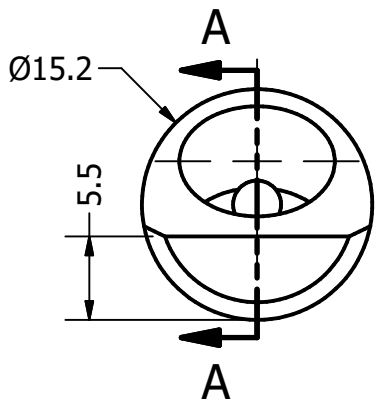
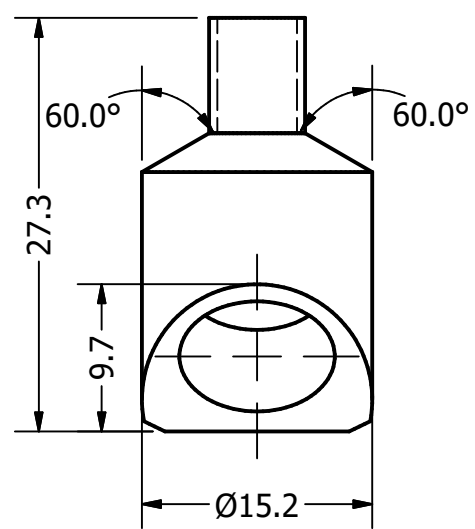


2

1




SECTION A-A
SCALE 2 : 1

NOTES:

- Free of burrs and swarfs
- No particles (greater than 0.2mm)
- No Sharp Edges



| | | | | | | | | | | | |
|-------------|--|--|------|---|-----------|----------------------|--|--|--|--------------------------------|--|
| PART NUMBER | | | | DIMENSIONING AND TOLERANCING PER ASME Y14.5M-1994 | | ALL DIMENSIONS [mm.] | | SCALE: 2 : 1 | | MAT: Nickel Plated, 12L14 C.S. | |
| 901023 | | | | | | | | | | | |
| | | | | DEPT | DATE | NAME | |  H.T.L perma USA, L.P. 2129 Center Park Road Charlotte, NC 28217 (704) 377-3100 | | | |
| | | | A.E. | 6.14.18 | K. Brooks | | | | | | |
| | | | | | | | | | | | |
| | | | | | | | | | | | |
| | | | | PROJECT | | | | DESCRIPTION: | | | |
| | | | | Accessories | | | | Angle 45, 1/4"-28 UNF-M x 1/8" NPT-F | | | |
| STATUS | | | | REVISION | | DATE | | NAME | | PREV DWG NUM: AX_ANG_023A | |
| | | | | | | | | | | DWG NUM: AX_ANG_023B | |

2

1