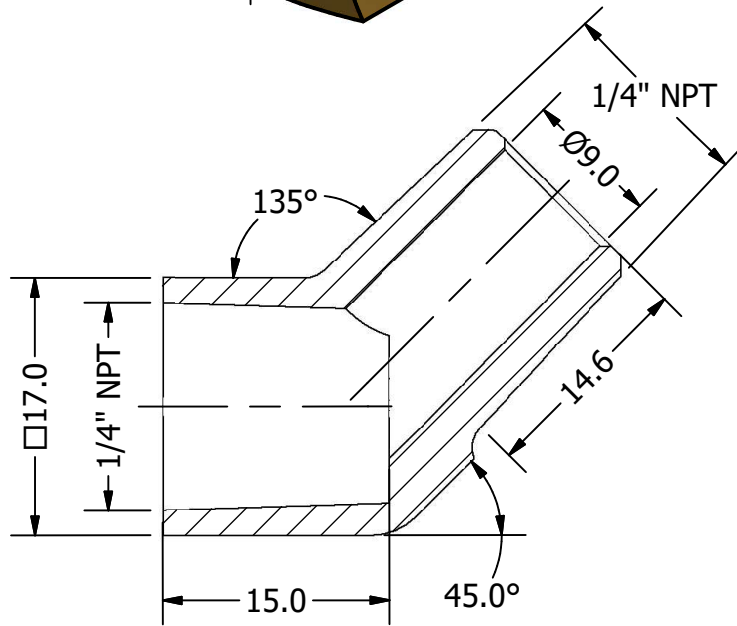
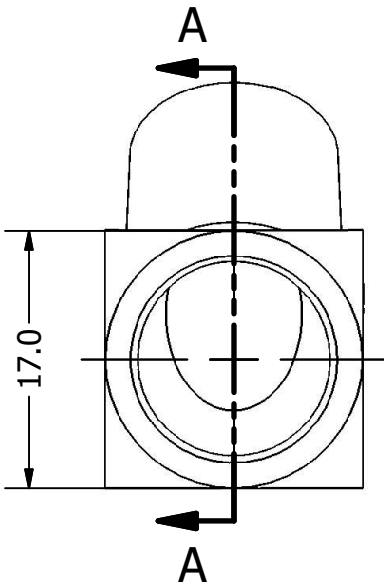
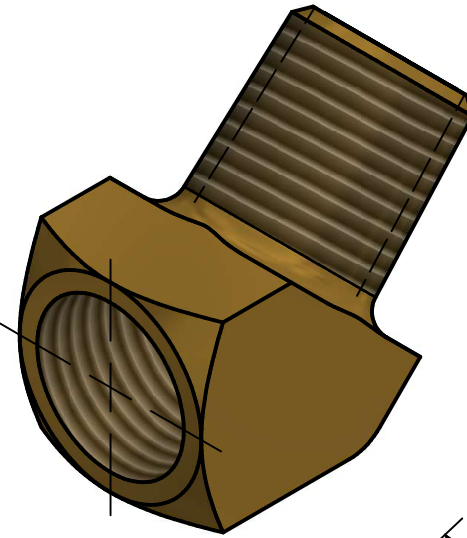
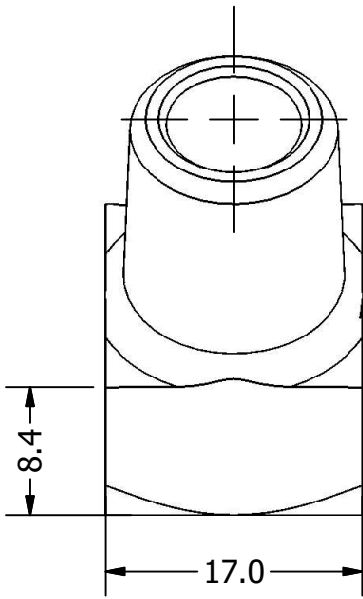


2


1



**NOTES:**

- Free of burrs and swarfs
- No particles (greater than 0.2mm)
- No Sharp Edges

**SECTION A-A**  
**SCALE 2 : 1**

PART NUMBER				DIMENSIONING AND TOLERANCING PER ASME Y14.5M-1994		ALL DIMENSIONS [mm.]		SCALE: 2 : 1 MAT:Brass		
901024										
				DEPT	DATE	NAME		 H.T.L perma USA, L.P. 2129 Center Park Road Charlotte, NC 28217 (704) 377-3100		
				A.E.	6.26.2018	K. Brooks				
				PROJECT				DESCRIPTION:		1 A
				Accessories				Angle 45, 1/4" NPT-M x 1/4" NPT-F		
STATUS	REVISION	DATE	NAME	PREV DWG NUM: AX_ANG_024_B				DWG NUM: AX_ANG_024_C		

2

1