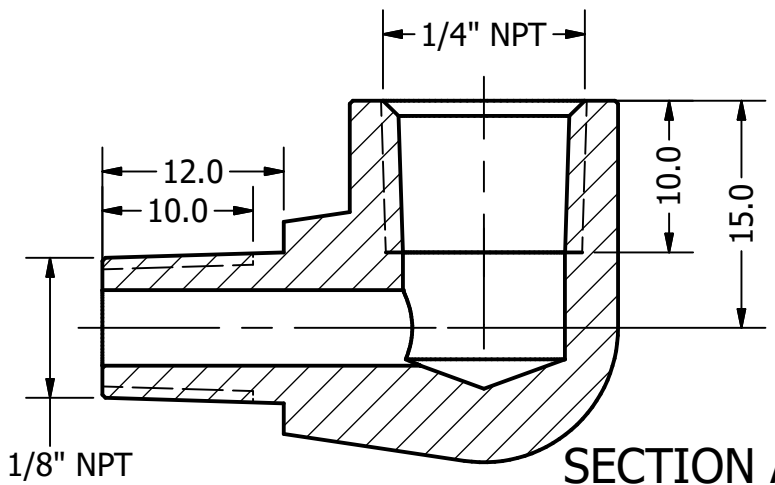
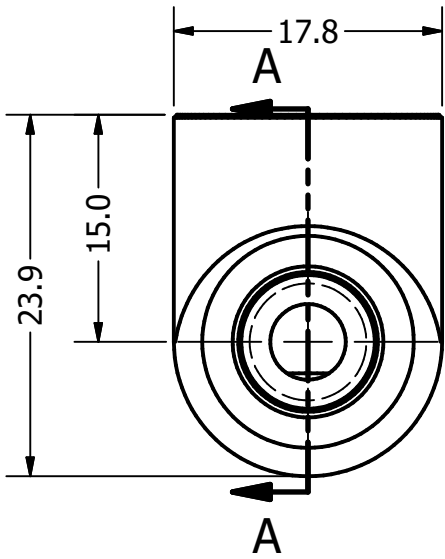
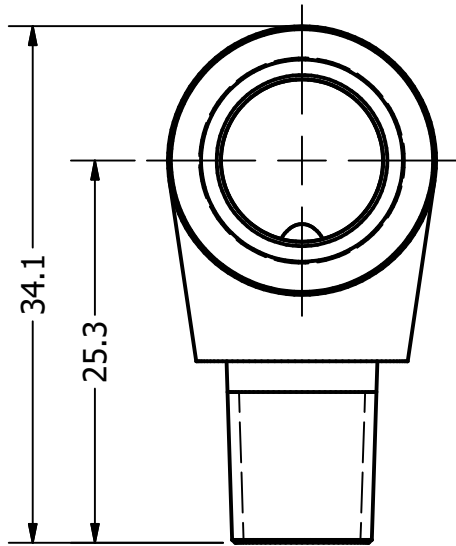


2

1

B

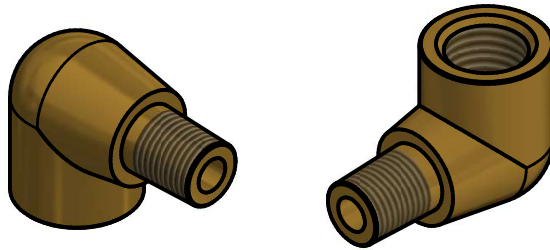
B




SECTION A-A
SCALE 2 : 1

NOTES:

- Free of burrs and swarfs
- No particles (greater than 0.2mm)
- No Sharp Edges



PART NUMBER				DIMENSIONING AND TOLERANCING PER ASME Y14.5M-1994		ALL DIMENSIONS [mm.]		SCALE: 2 : 1		MAT:Brass	
901026											
				DEPT	DATE	NAME		 H.T.L perma USA, L.P. 2129 Center Park Road Charlotte, NC 28217 (704) 377-3100			
				A.E.	6.14.2018	K. Brooks					
				PROJECT				DESCRIPTION:		1 A	
				Accessories				Angle 90, 1/8" NPT-M x 1/4" NPT-F			
STATUS	REVISION	DATE	NAME	PREV DWG NUM: AX_ANG_026_A				DWG NUM: AX_ANG_026_B			

2

1

A

A

