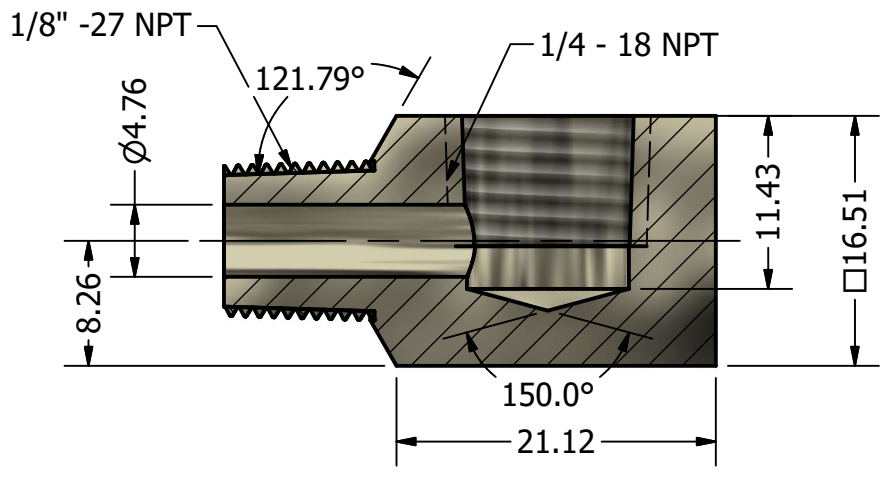
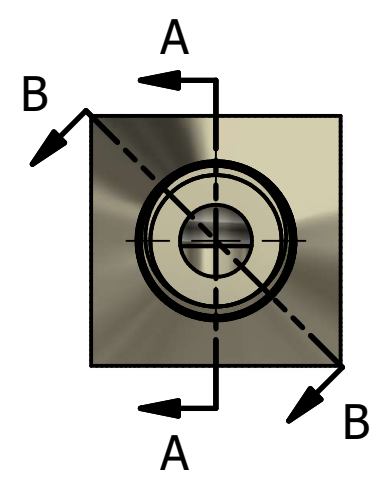
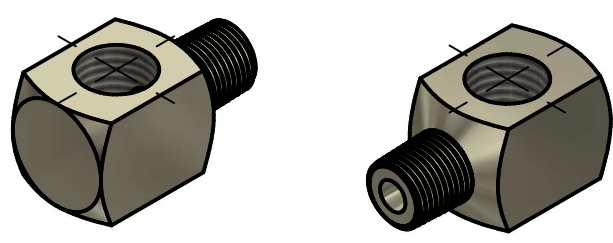



SECTION B-B
SCALE 2 : 1



SECTION A-A
SCALE 2 : 1

- NOTES:**
- Free of burrs and swarfs
 - No particles (greater than 0.2 mm)
 - No Sharp Edges



PART NUMBER		DIMENSIONING AND TOLERANCING PER ASME Y14.5M-1994		ALL DIMENSIONS [mm.]		SCALE: 2 : 1	MAT: Nickel Plated, 12L14 C.S.	
901027								
		DEPT	DATE	NAME		 H.T.L perma USA, L.P. 2129 Center Park Road Charlotte, NC 28217 (704) 377-3100		
		A.E.	12.22.17	K. Brooks				
		PROJECT				DESCRIPTION:		1 A
		Accessories				Angle 90, 1/8" NPT-M x 1/4" NPT-F		
STATUS	REVISION	DATE	NAME	PREV DWG NUM: AX_ANG_027_B		DWG NUM: AX_ANG_027_C		