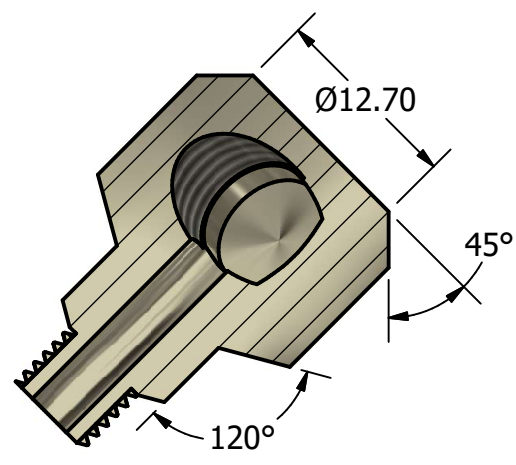
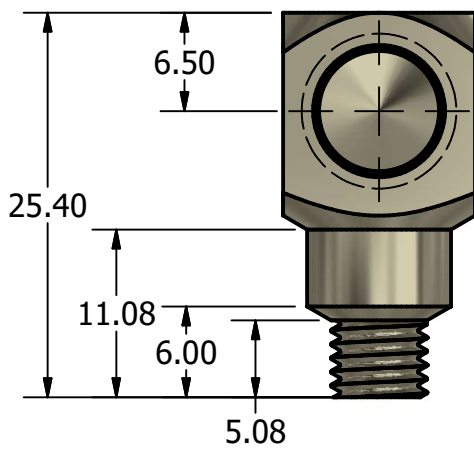
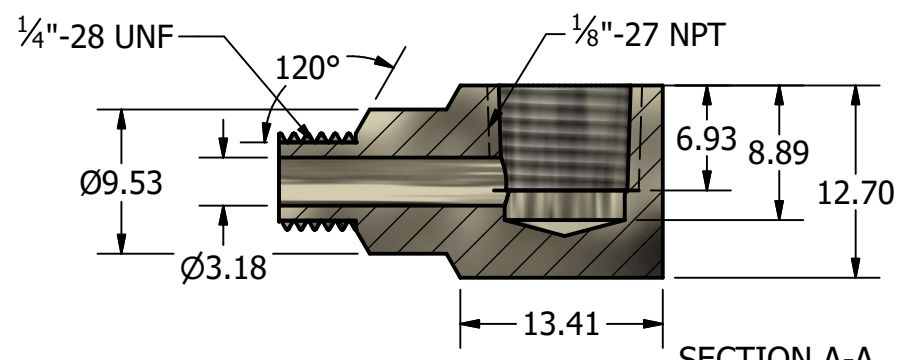
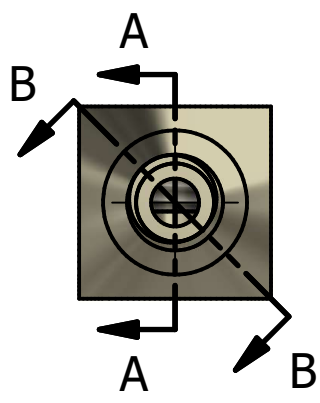


2

1

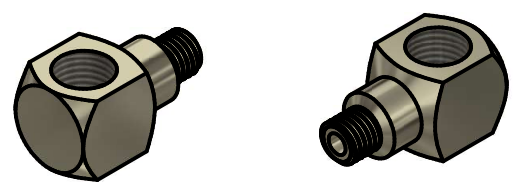



SECTION B-B
SCALE 2 : 1



SECTION A-A
SCALE 2 : 1

- NOTES:**
- Free of burrs and swarfs
 - No particles (greater than 0.2 mm)
 - No Sharp Edges



PART NUMBER				DIMENSIONING AND TOLERANCING PER ASME Y14.5M-1994		ALL DIMENSIONS [mm.]		SCALE: 2 : 1	MAT: Nickel Plated, 12L14 C.S.	
901029										
				DEPT	DATE	NAME		 H.T.L perma USA, L.P. 2129 Center Park Road Charlotte, NC 28217 (704) 377-3100		
				A.E.	12.20.17	K. Brooks				
				PROJECT				DESCRIPTION:		1 A
				Accessories				Angle 90, 1/4"-28 UNF-M x 1/8" NPT-F		
STATUS	REVISION	DATE	NAME	PREV DWG NUM: AX_ANG_029A				DWG NUM: AX_ANG_029B		

2

1