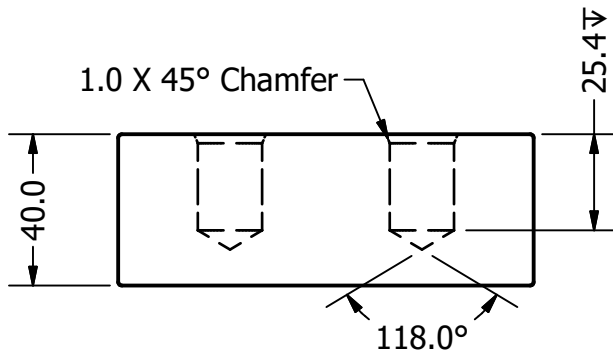
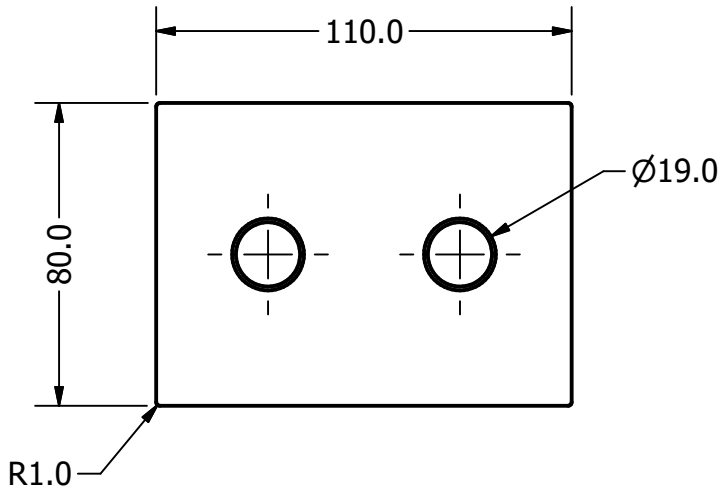



2

1



**NOTES:**

- Free of burrs and swarfs
- No particles (greater than 0.2mm)
- No Sharp Edges

PART NUMBER				DIMENSIONING AND TOLERANCING PER ASME Y14.5M-1994		ALL DIMENSIONS [mm.]		SCALE: 1 / 2		MAT:Rubber	
901082											
				DEPT	DATE	NAME		 H.T.L perma USA, L.P. 2129 Center Park Road Charlotte, NC 28217 (704) 377-3100			
				A.E.	6.26.2018	K. Brooks					
				PROJECT				DESCRIPTION:		1 A	
				Accessories				Hose Fitting Mounting Block			
STATUS	REVISION	DATE	NAME	PREV DWG NUM:				DWG NUM: AX_SER_082			

2

1

4