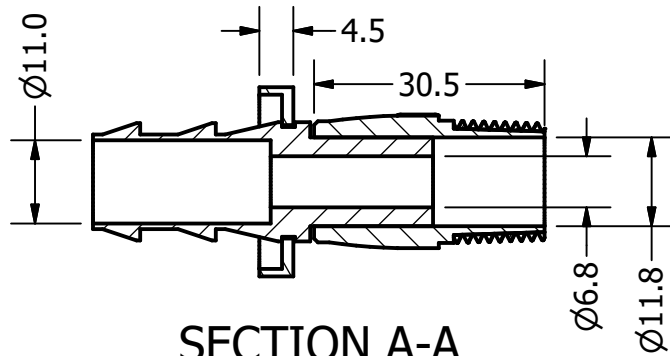
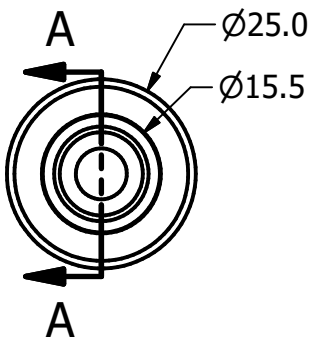
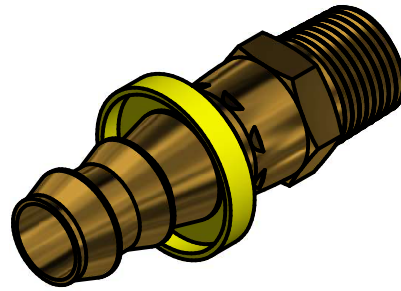
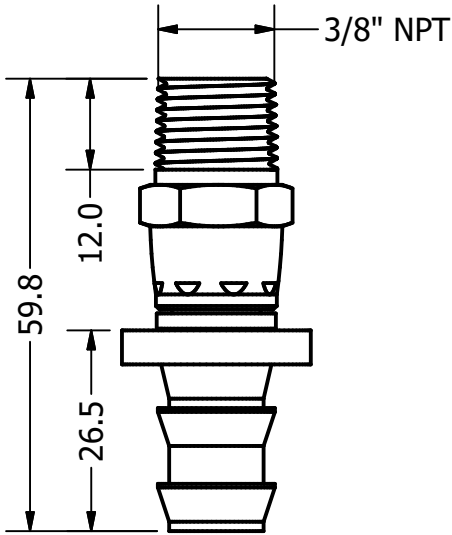


2


1



SECTION A-A  
SCALE 1 : 1

**NOTES:**

- Free of burrs and swarfs
- No particles (greater than 0.2mm)
- No Sharp Edges

PART NUMBER				DIMENSIONING AND TOLERANCING PER ASME Y14.5M-1994		ALL DIMENSIONS [mm.]		SCALE: 1 : 1 MAT: Brass / Plastic	
901233									
				DEPT	DATE	NAME		 H.T.L perma USA, L.P. 2129 Center Park Road Charlotte, NC 28217 (704) 377-3100	
				A.E.	7.20.2018	K. Brooks			
				PROJECT				DESCRIPTION:	
				Accessories				Hose connector 3/8" NPT-M for hose iØ 1/2" - push-on	
				PREV DWG NUM:				DWG NUM: AX_HTC_233_A	

2

1