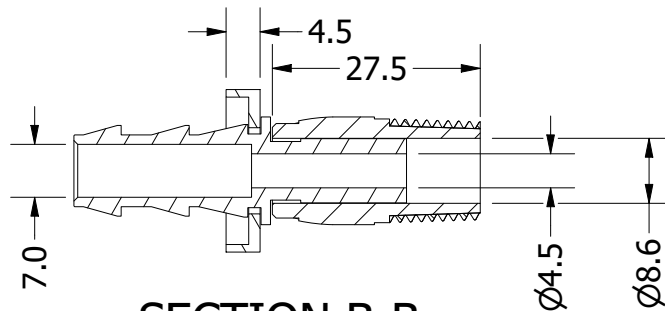
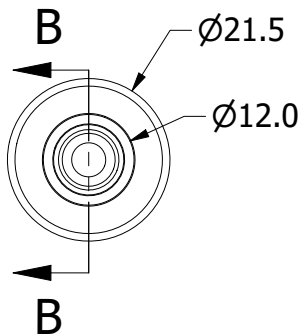
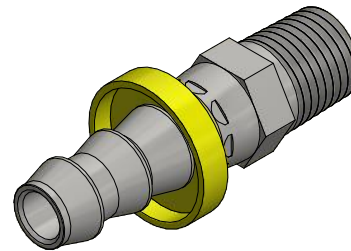
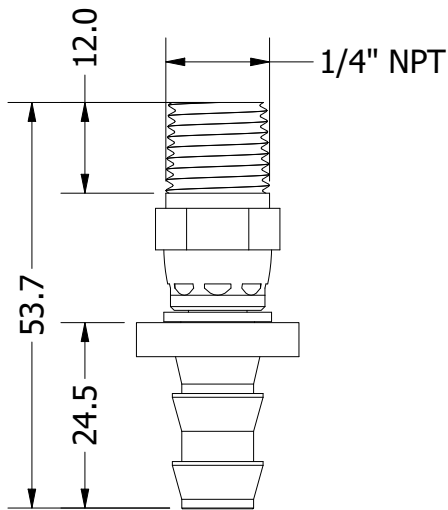


2


1



SECTION B-B  
SCALE 1 : 1

**NOTES:**

- Free of burrs and swarfs
- No particles (greater than 0.2mm)
- No Sharp Edges

PART NUMBER				DIMENSIONING AND TOLERANCING PER ASME Y14.5M-1994		ALL DIMENSIONS [mm.]		SCALE: 1 : 1		MAT:316 Stainless steel / Plastic	
902160											
				DEPT		DATE		NAME		 H.T.L perma USA, L.P. 2129 Center Park Road Charlotte, NC 28217 (704) 377-3100	
				A.E.		7.8.2020		K. Brooks			
				PROJECT				DESCRIPTION:			
				Accessories				Hose connector 1/4" NPT-M for hose iØ 3/8" - push on			
STATUS				REVISION		DATE		NAME		PREV DWG NUM:	
										DWG NUM: AX_HTC_902160_A	

2

1