

perma lubrication systems for  
**Conveyors**

**H-T-L perma USA LP**  
2129 Center Park Drive  
CHARLOTTE, NC 28217 / USA  
[www.permausa.com](http://www.permausa.com)

Tel.: +1 704 377 3100  
Toll Free: +1 800 997 3762  
Fax: +1 704 377 3106  
[info@permausa.com](mailto:info@permausa.com)  
[www.permausa.com](http://www.permausa.com)



**The Expert in Lubrication Solutions**

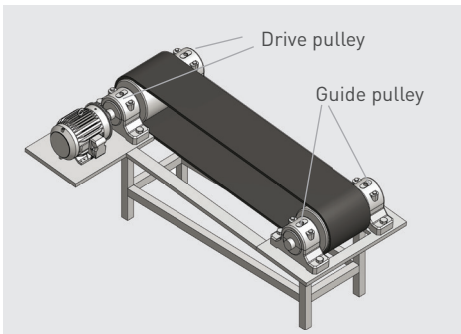
**perma**

## perma lubrication systems for **Conveyors**

Functioning conveyors are essential for smooth process flows. Despite dirt, dust or strong vibration, optimal lubrication is necessary to prevent equipment failures. Equipment downtimes, costly repairs and service calls make up a significant proportion of the operating costs.

- Mining & heavy industry
- Power plants
- Food industry
- Recycling industry
- Quarrying industry
- Cement plants

### Lubrication points



Pillow block housings with spherical roller bearings are mainly used for **drive/guide pulleys**.

**Bearings** and **bearing housing seals** must be permanently supplied with lubricant.

### Challenges



Large conveyors often extend over large distances and several levels and are **difficult to access**. Relubrication should ideally take place while the equipment is running. The lubrication points at the transfer points above the storage containers or treatment facilities can often only be reached with the help of ladders or other aids and are therefore often **neglected**. Restricted access as a result of hazardous ambient conditions **endangers workplace safety**.

**Lubrication starvation** results in wear, which leads to **failure of equipment components** and reduces productivity and cost effectiveness.

- **Dirt** and **water** must not enter the lubrication points
- Optimal and regular **lubrication with fresh lubricant** during equipment operation
- **No unnecessary equipment downtimes** due to relubrication
- **Workplace safety** must be ensured





## Advantages of automatic lubrication

- ✓ Lubricant seals lubrication points and **prevents** ingress of **contamination**
- ✓ **Lubrication takes place while the equipment is running** without interrupting the work process
- ✓ perma lubrication systems are installed outside of dangerous areas (remote mounting) and **actively contribute to accident prevention**
- ✓ Precise lubricant discharge **lowers** lubricant consumption and thus the **environmental impact**

### perma SELECT APP

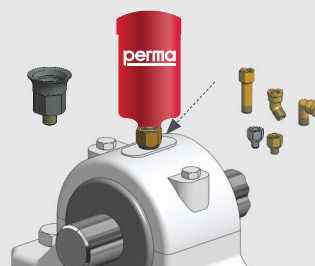
FREE



## Solutions

### Direct mounting on the lubrication point: e.g. with perma CLASSIC / FUTURA / FLEX / NOVA

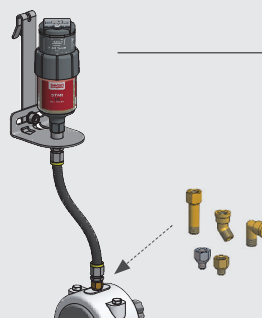
- Easy, quick mounting
- For lubrication points with little vibration/shocks
- For easy-to-reach, safe lubrication points



**Direct Mounting Solution**  
Use extensions, angles & reducers depending on the installation situation

### Remote mounting at lubrication point: e.g. with perma STAR VARIO

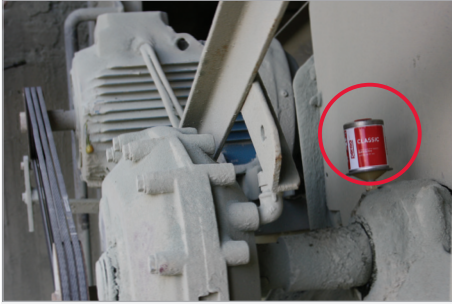
- For lubrication points with strong vibration/shocks (isolation of lubrication system)
- When workers' safety is at risk: Mounting in safe areas
- For hard-to-reach lubrication points



**perma STAR VARIO  
with LC 120**

**Remote Mounting Solution**  
Use extensions, angles & reducers depending on the installation situation

## Applications



Industry: Cement



Industry: Steel



Industry: Recycling



Industry: Coal handling preparation



Industry: Cement



Industry: Coal handling preparation



Industry: Quarrying



Industry: Quarrying



Industry: Quarrying

## Individual solutions

### perma Product portfolio



Solutions for all types of applications

### perma Lubricants



Large selection of high quality lubricants to meet the requirements of your equipment

### perma Accessories



Extensive range of accessories and connecting parts for your equipment

### perma SERVICE



Project planning, installation and maintenance

### perma SOFTWARE



Calculation of lubricant amount: • perma SELECT  
Maintenance Lubrication Program: • perma MLP