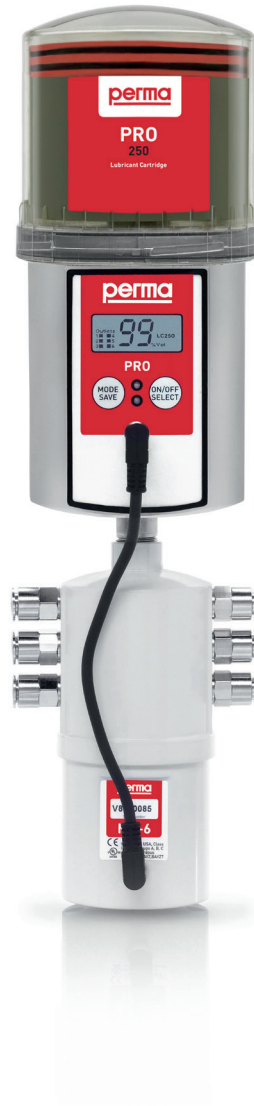


perma PRO MP-6

The precise multi-point lubrication system for up to 6 lubrication points



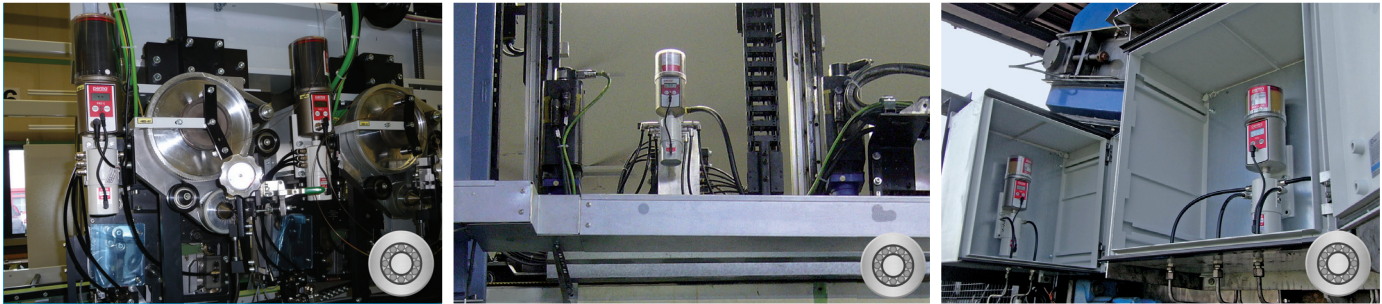
Precise lubricant supply

The perma PRO MP-6 is available as a self-sufficient, battery operated multi-point lubrication system. Depending on the discharge period, from 1 day to 24 months, 250 cc or 500 ccc of lubricant are dispensed from a maximum of six outlets into the lubrication points. Thanks to the maximum pressure build-up of 362 psi / 25 bar in the MP-6 distributor, the lubricant is uniformly and precisely distributed using up to 16 ft / 5 m of grease line per outlet.

perma



perma PRO MP-6 multi-point lubrication system applications include roller and sliding bearings, linear guides, open gears, spindles as well as shaft seals on motors, generators, pumps and fans. The types of applications range from the automotive industry and combined heat and power stations, through the paper industry and mining, and on to various steel industry sectors.



Product characteristics Benefits



Setting via push button with display and LED

Outlet display
LED red/green = function

- Easy configuration of discharge period and outlets
- Display of remaining volume and active outlets
- Status control on display
- Easy to set and change at any time



Pressure build-up to 362 psi / 25 bar allows remote mounting up to 16 ft / 5 m per outlet

Additional discharge (purge)

- Installation outside of dangerous areas or at easy-to-reach places increases workplace safety and saves time
- Higher equipment availability, since exchange during running operation possible
- Lubrication point can be purged to clear blockages

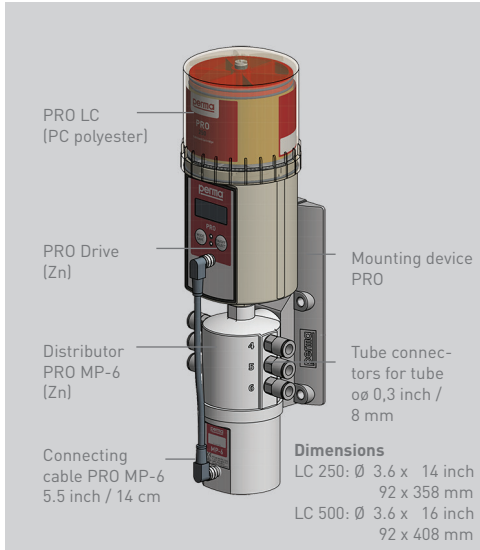


MP-6 distributor with 6 outlets – Number of active outlets can be user-defined

- Supply of 1 to 6 lubrication points with same lubricant amount
- Precise supply of lubrication points
- Monitoring of lubrication point status

Technical data

Drive – reusable
PRO MP-6: Battery operation supply 15–30 V
Discharge periods
1 day to 24 months
Lubricant volume
250 cc or 500 cc
Operating temperature
-4 °F to 140 °F / -20 °C to +60 °C
Pressure build-up
Max. 25 bar
Mounting with <16 ft / 5 m grease line per outlet
Standard & special lubricants
Greases up to NLGI 2



Create your perma PRO system in 3 steps:

- 1 perma PRO Basic system**
battery operated
- 2 Accessory kit PRO**
- 3 PRO LC and Cover**

The grease used to prefill the grease lines must match the grease used for PRO LC.

How to order

The PRO MP-6 complete unit include a set of accessories to help you execute a worry-free installation. The complete units also come pre-installed, ready to setup and activate. When the LC is empty, you only need to order a PRO LC KIT and reuse your drive unit and other components.

Please contact your perma USA representative to order a PRO complete lubrication system.

1. Choose PRO Complete or LC KIT

COMPONENTS



perma PRO

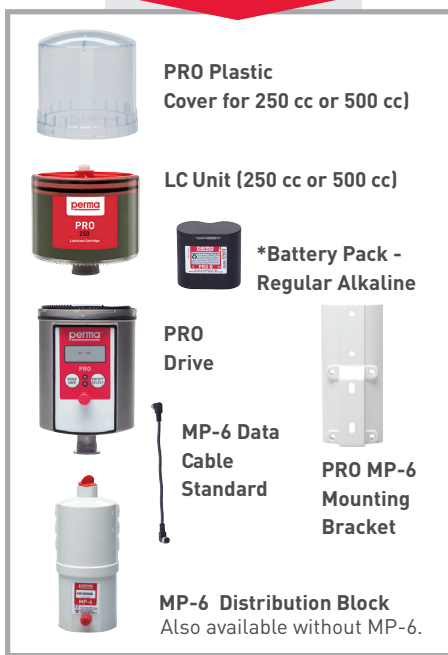
OR



LC KIT

LC Unit (250 cc or 500 cc)

Battery Pack - Regular Alkaline



PRO Plastic Cover for 250 cc or 500 cc)

LC Unit (250 cc or 500 cc)

*Battery Pack - Regular Alkaline

PRO Drive

MP-6 Data Cable Standard

PRO MP-6 Mounting Bracket

MP-6 Distribution Block Also available without MP-6.



*Battery Pack - Regular Alkaline

LC Unit (250 cc or 500 cc)

2. Choose LC size + Lubricant



250 cc / 8.45 oz

OR



500 cc / 16.90 oz

Each lubricator is custom filled at our warehouse with the lubricant of your choice.

Please contact us or an authorized perma distributor for more information on available lubricants.

Installation Kit (Included with each complete PRO MP-6)



2 x 901222

6 x 101570

6 x 101571

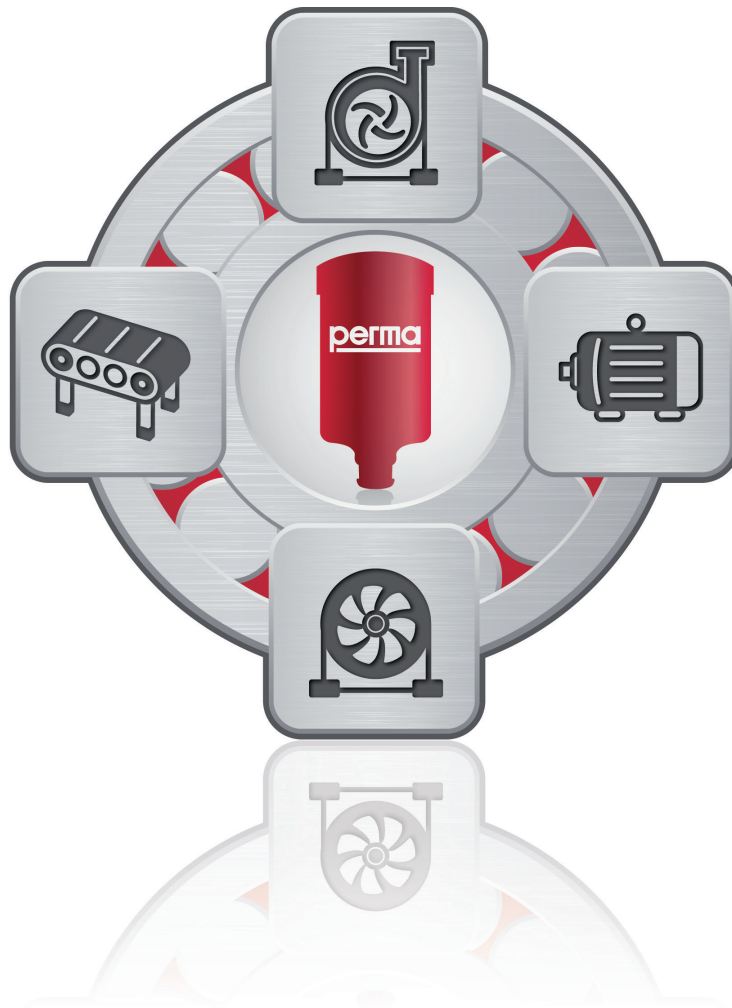
6 x 901183

6 x 901184

4 x 103288

6 x 16 ft. 901186





H-T-L perma USA LP
2129 Center Park Drive
CHARLOTTE, NC 28217 / USA
www.permausa.com

Tel.: +1 704 377 3100
Free: +1 800 997 3762
Fax: +1 704 377 3106
info@permausa.com
www.permausa.com