


# perma NOVA - Quick Start Guide

## 1. Predefine installation / Select lubricant, discharge period + connecting parts



Reducer

Direct mounting

**Examples: Bearing lubrication**

Mounting bracket CLASSIC, FUTURA, FLEX, NOVA 1-point G1/4 female (109685)

Reducer (will depend on grease fitting size)

Reducer G1/4 male x 1/4" NPT female (901000)

Hose connector 1/4" NPT male for hose ID 3/8" - push-on (901007)

Heavy Duty hose up to 260 °F / 127 °C ID 3/8" black (901006)


Hose connector 1/4" NPT male for hose ID 3/8" - push-on (901007)

Remote mounting → for lube-points with vibration, limited mounting space, high temperature

**Select a suitable lubricant for perma NOVA**

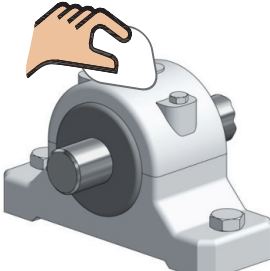
**Select discharge period**  
→ e. g. with perma SELECT APP  
(refer to our product catalog for details)

**Possible mounting positions:**

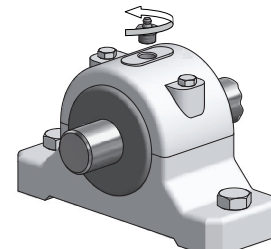


\* This position is only possible in dry environments

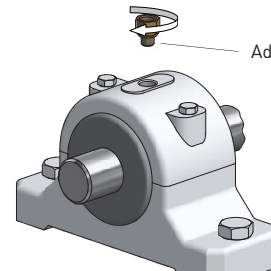
## 2. Prepare lube-point



Clean lube-point

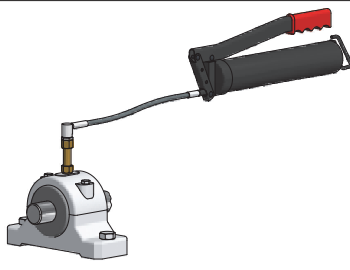


Remove grease fitting

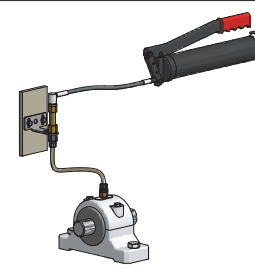


Add sealant

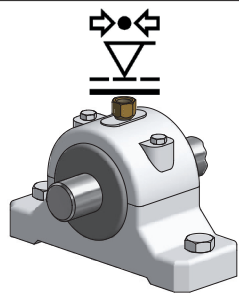
Add reducer and tubes (if required)



For direct mounting:  
Prefill lube-point and any connecting parts  
(use the same grease that is contained in the lubrication system)

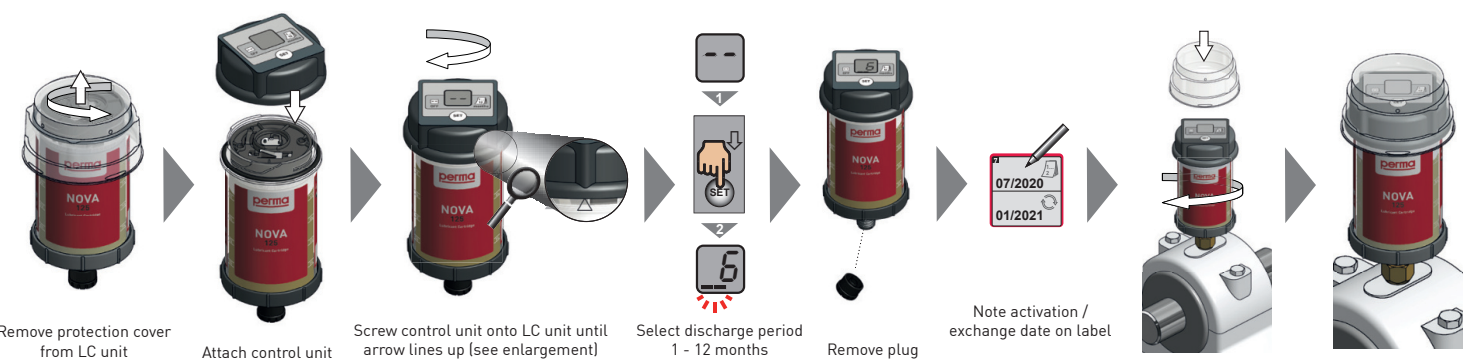


For remote mounting:  
Prefill lube-point and any grease lines / connections  
(use the same grease that is contained in the lubrication system)



Pressure check: Lube-point / all connecting parts  
(refer to perma NOVA installation guide for details)

## 3. Activation / Installation of lubrication system



Remove protection cover from LC unit

Attach control unit

Screw control unit onto LC unit until arrow lines up (see enlargement)

Select discharge period 1 - 12 months

Remove plug

Note activation / exchange date on label